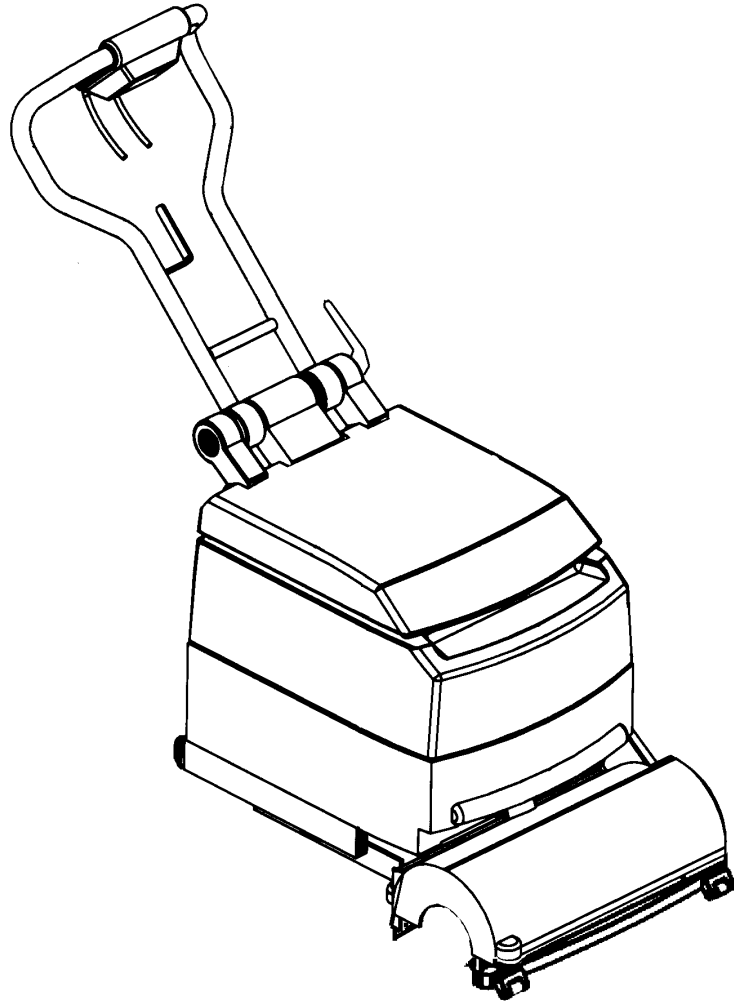
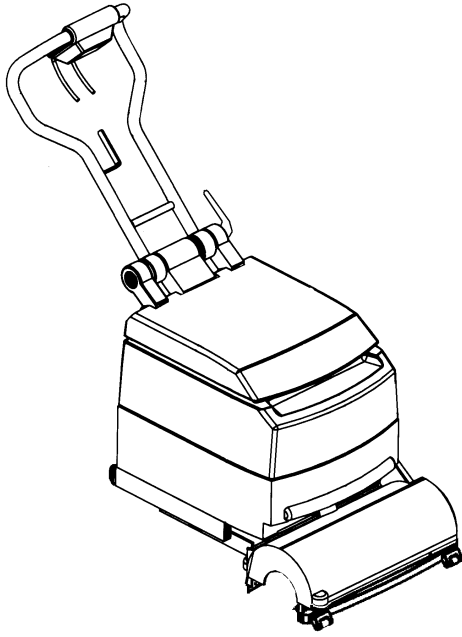


MICROMATIC 14E



Parts list



GB

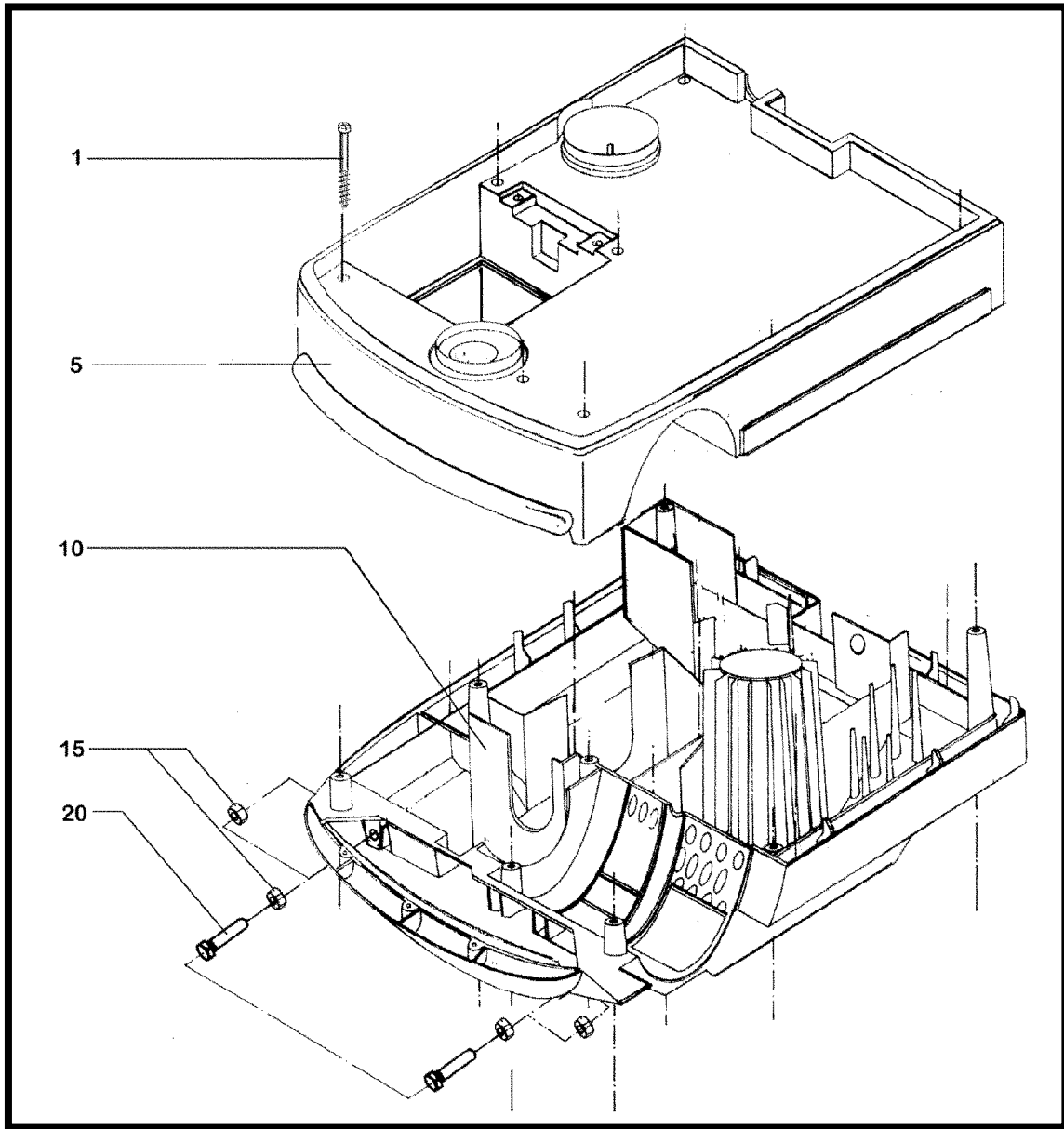
	Page Seite Page
CHASSIS SYSTEM	2-3
TWO TANK VERSION	4-5
SOLUTION SYSTEM	6-7
BRUSH DRIVE SYSTEM	8-9
SQUEEGEE ASSEMBLY	10-11
VACUUM SYSTEM	12-13
FRAME SYSTEM	14-15
HANDLE SYSTEM	16-17
WIRING SYSTEM 110V-60HZ	18-19
WIRING DIAGRAM 110V-60HZ	20

= IDENTIFICATION OF NEW ITEM NUMBERS OR MODIFIED PART NUMBERS

WHEN ORDERING PARTS

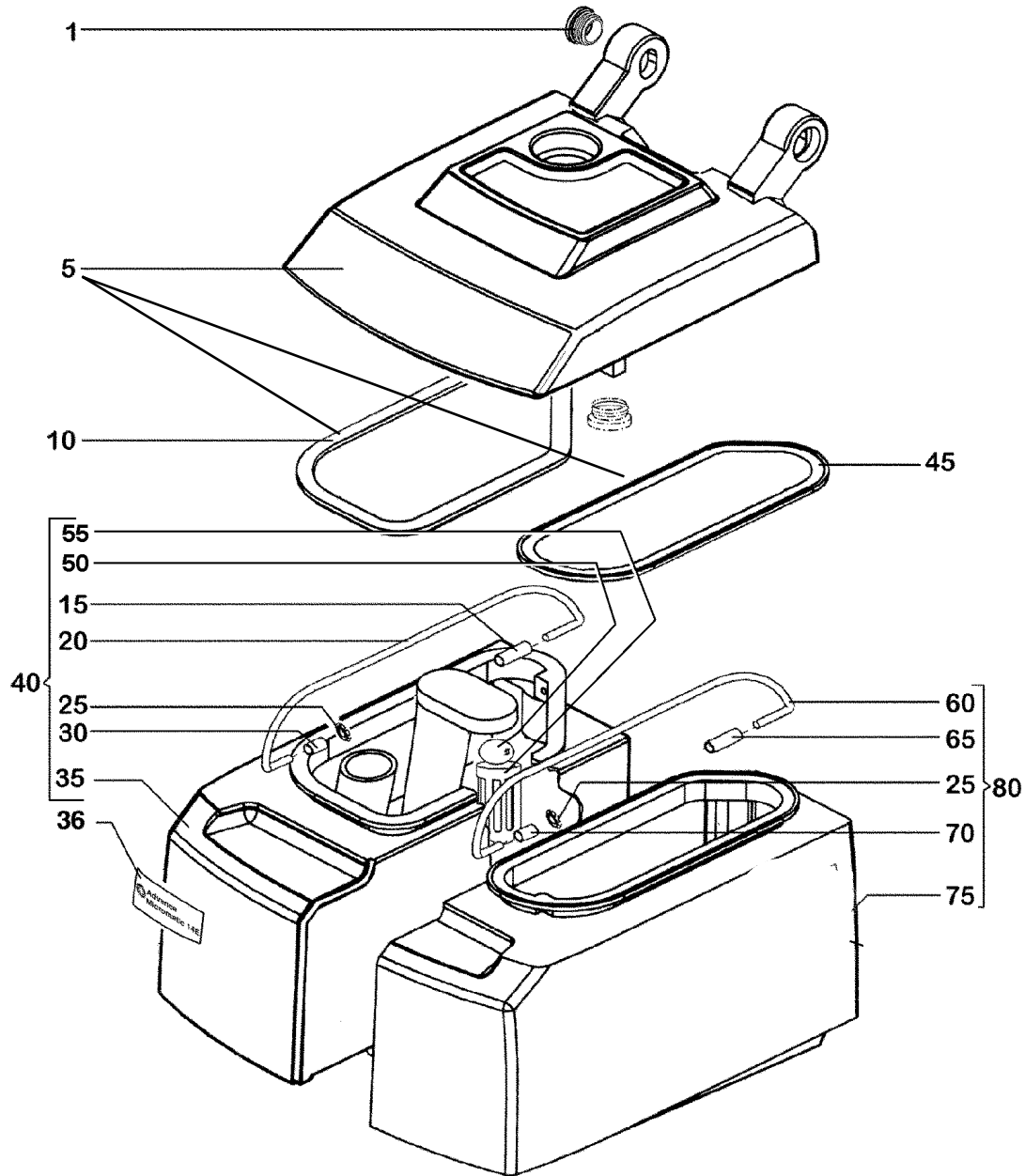
- Use the 8, 9 or 10 digit numbers from the "Part No." columns in this parts list.
- Specify the model and serial number of the machine
- Use the space before to record the model and serial number for future reference.

MODEL _____ **SERIAL No.** _____

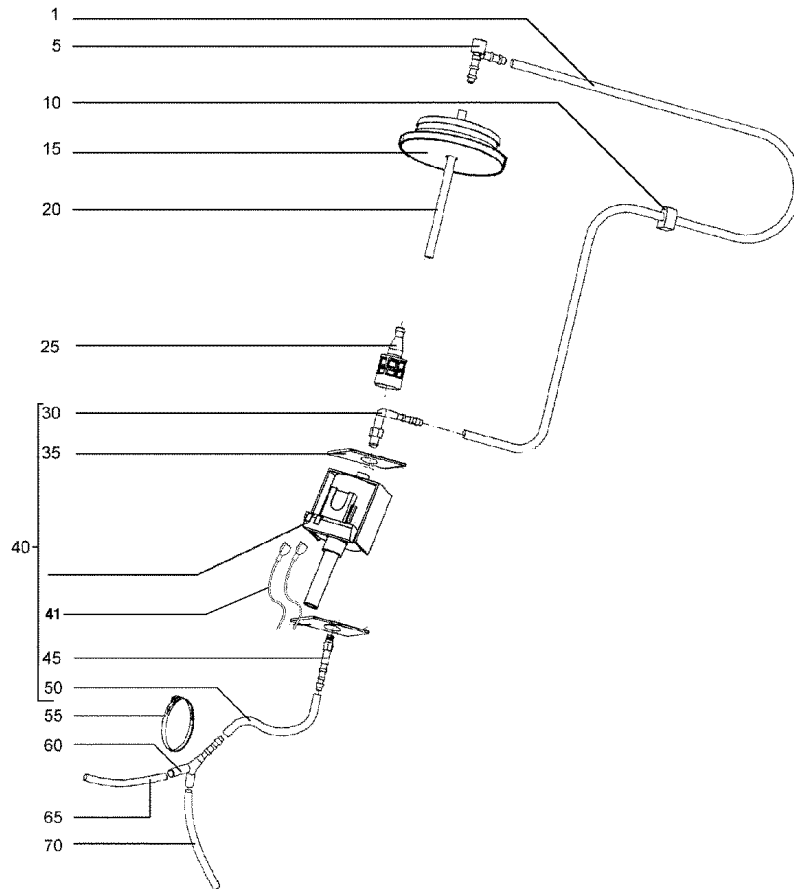


21

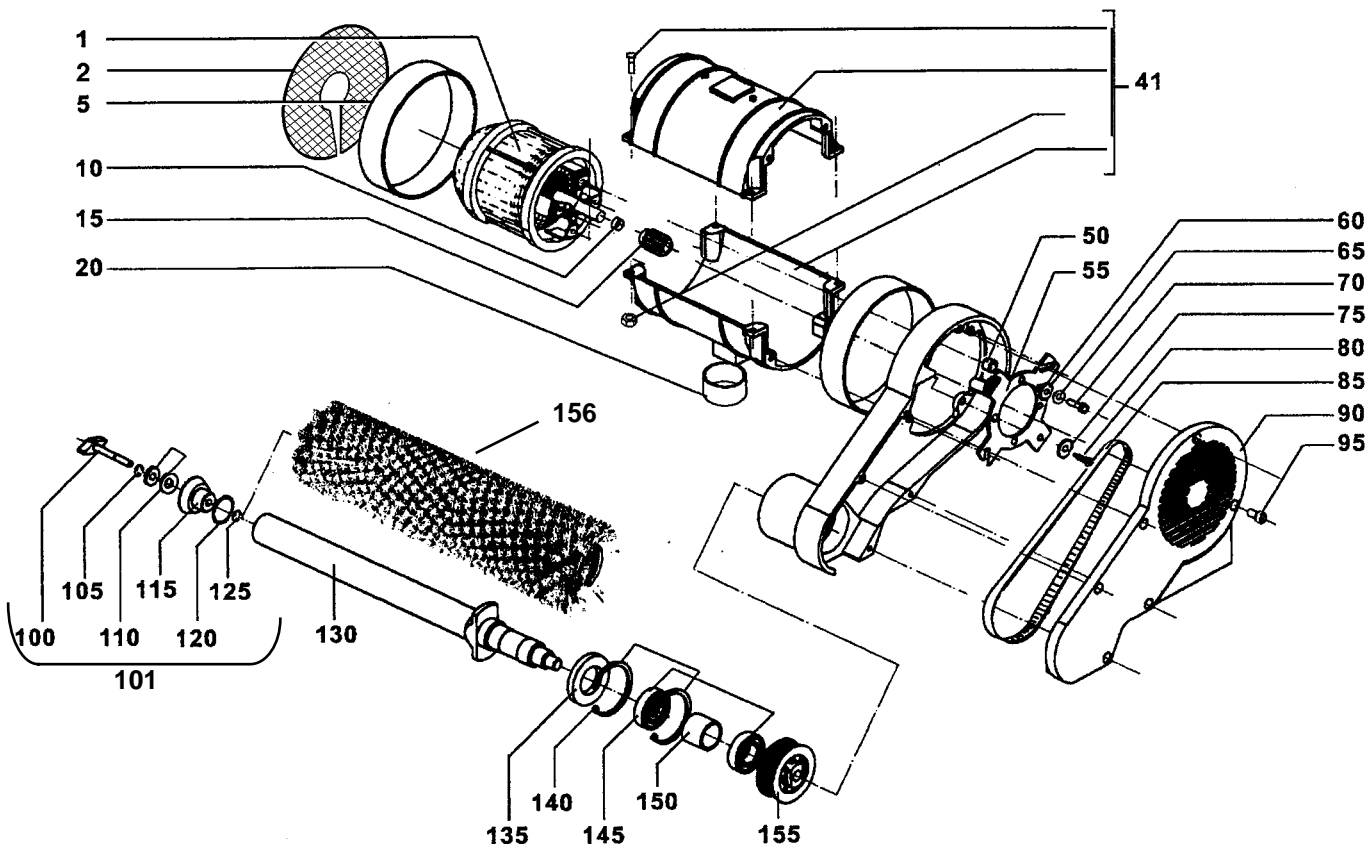
Item	Ref.No.	Qty.	Description
1	909 5893 000	8	Screw cyl hd selflocking M6x60
5	56340124	1	Top chassis
10	56340245	1	Bottom chassis
15	56003352	4	Hexagonal nut M8 SS
20	56003353	2	Hexagonal head screw M8x30SS
21	56340031	1	Chassis Assy complete



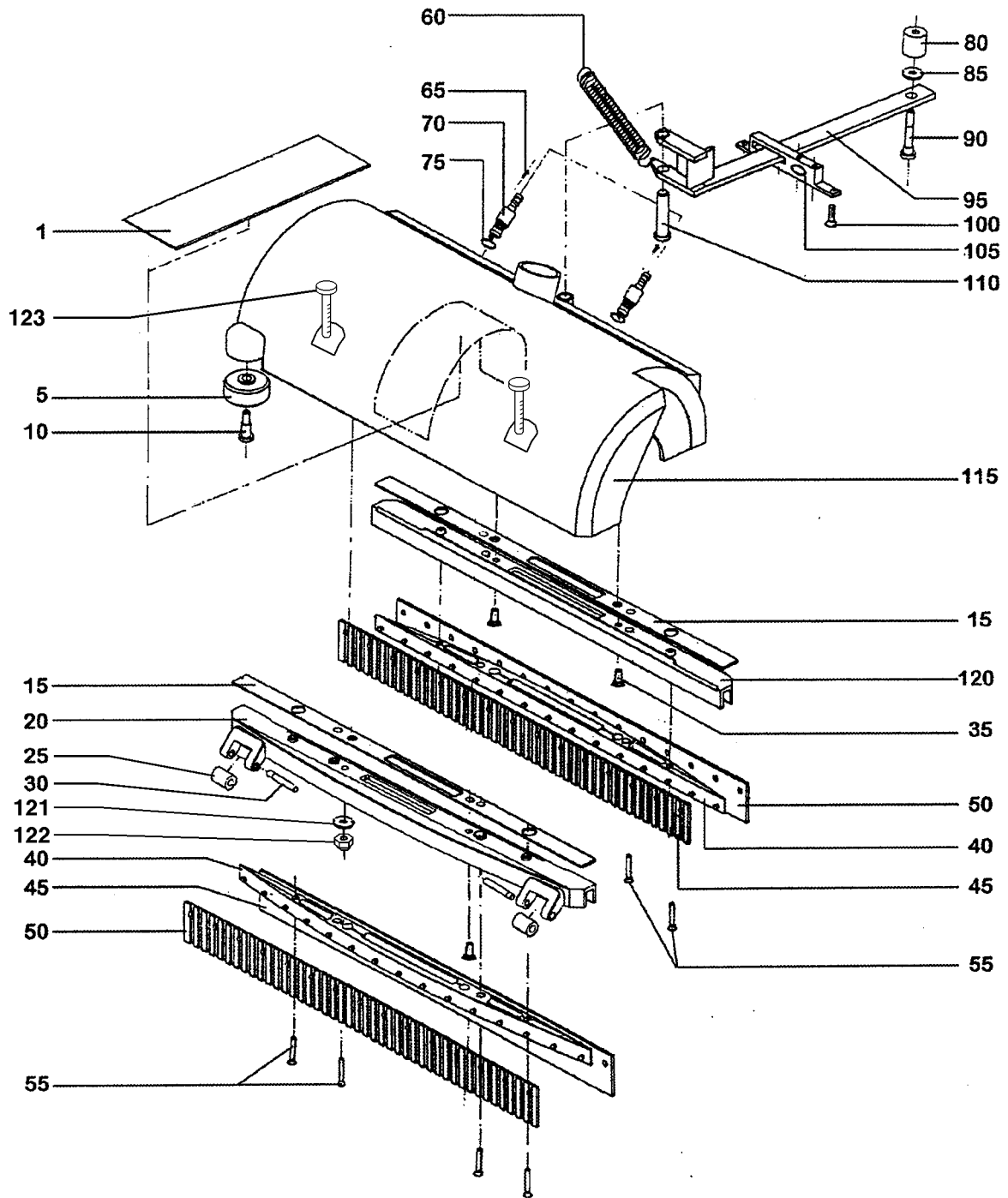
Item	Ref.No.	Qty.	Description
1	56340036	1	Plug for tank cover
5	563400037	1	Lid with gaskets
10	56340038	1	Seal, recovery tank 0,86 m
15	56340039	1	Sleeve, long 32mm
20	56340040	1	Grip, recovery tank
25	56340052	4	Sprocket washer
30	56340244	1	Sleeve, short 14mm
35	56340042	1	Recovery tank
36	L08603806	1	Foil
40	56340043	1	Recovery tank complete
45	56340044	1	Seal, solution tank kit 0,78 m
50	56340050	1	Ball,float
55	56340051	1	Cage, float
60	56340045	1	Grip, solution tank
65	56340047	1	Sleeve, long 19mm
70	56340244	1	Sleeve, short 14mm
75	56340048	1	Solution tank
80	56340049	1	Solution tank complete
#0	L08603490	1	Two tanks assembly complete (40+80)



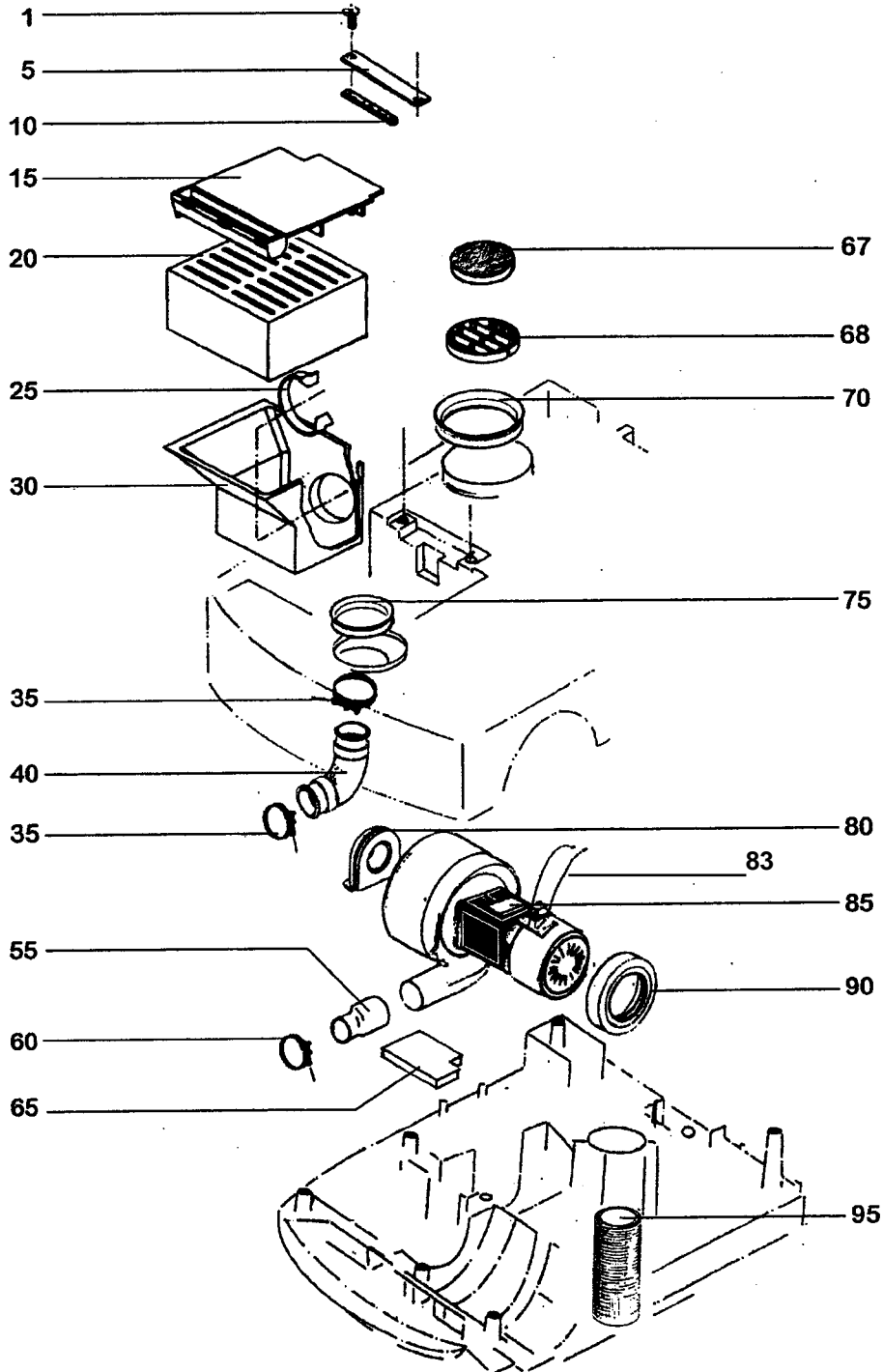
Item	Ref.No.	Qty.	Description
#1	L08603735	1	Hose, PVC
5	56340177	1	L-connection
10	56340178	1	Rubber socket
15	56340179	1	Plug with hole
20	56340180	1	Hose
25	56340181	1	Filter
30	56340242	1	Hose barb 1/8"x90
35	56340191	2	Insulation
40	56340554	1	Pump 110V complete
41	56340234	2	Strand wire
45	56340239	1	Tube
#50	L08603752	1	Hose
55	56340187	1	Clamp
60	56340186	1	Y-piece
65	56340188	1	Hose
70	56340191	1	Hose
0	56340222	1	Pump with Resistor 33 Ohm Assy
#0	L08812124	1	Pump Assy without Resistor



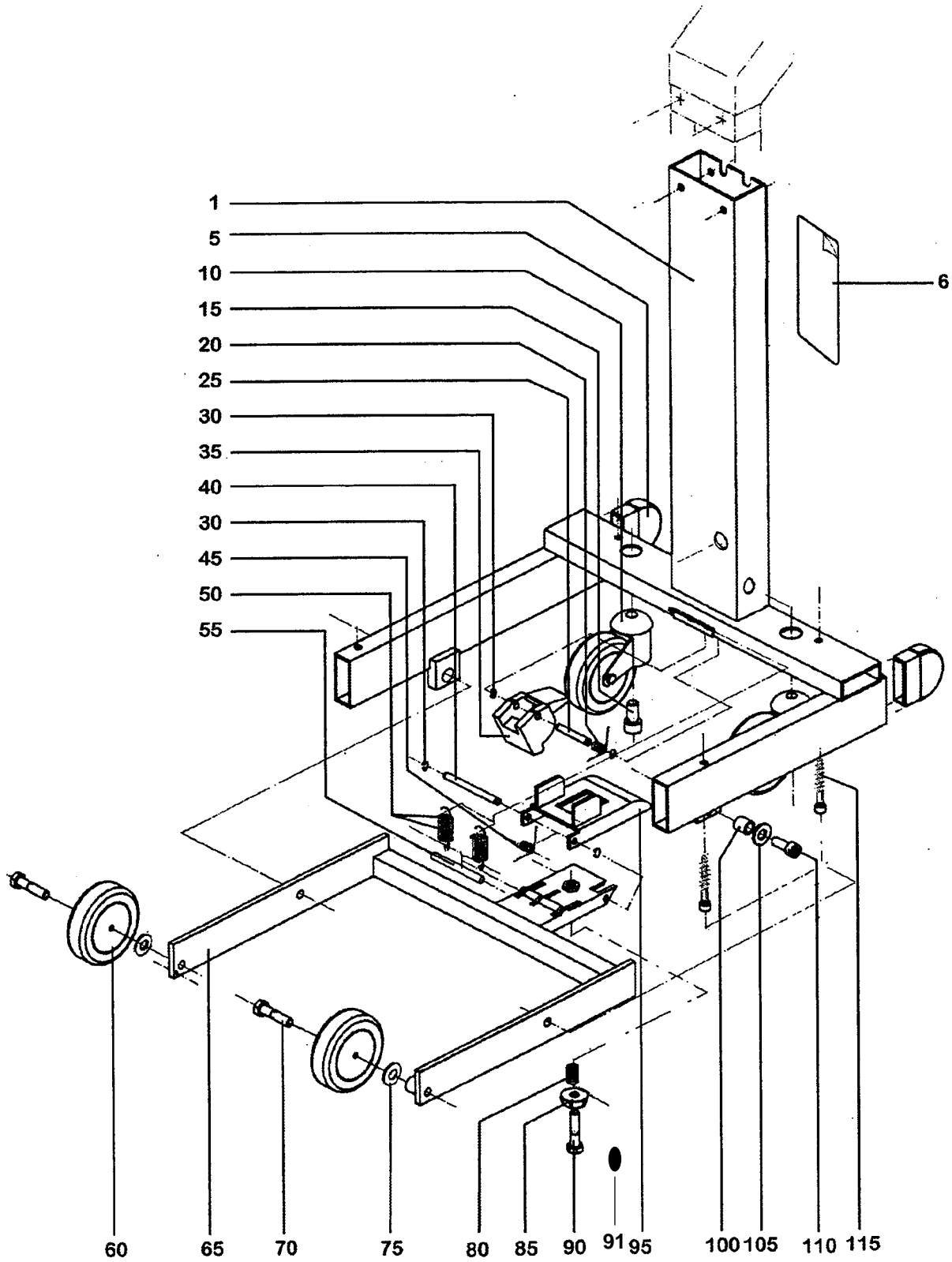
Item	Ref.No.	Qty.	Description
1	56340152	1	Brush motor 110V
#2	L08812032	1	Screen brush motor
5	56340153	2	Rubber Band
10	56340166	1	Washer flat 11x16
#15	L08603750	1	Motor pulley (replace 56340167 INTERCHANGEABLE)
20	56340154	1	Rubber band
41	56340151	1	Motor cover, complete
45	56340557	1	Gear case
50	56340171	4	Insulation covering
55	56340172	1	Motor flange
60	56340173	4	Insulation covering
#65	L08241500	4	Washer, flat 5x10 SS
70	56340237	4	Screw hex hd M5x18
75	56325538	4	Washer, Flt 6x18
80	56003368	4	Screw cyl hd M6x20 SS
85	56340175	1	Drive belt
90	56340236	1	Gear cover
95	56003357	6	Screw cyl hd M6x12 SS
100	56340156	1	Wing bolt cpl.
#101	L08812081	1	Roller brush holder complete
105	56325538	1	Washer flat 6,4x18
#110	L08812686	2	Rubber disc
115	56340158	1	Compression ring
120	56340150	1	O-Ring
125	56340159	1	Locking washer
130	56340160	1	Shaft
135	56340161	1	Shaft seal
140	56340162	2	Locking ring
145	56340163	3	Ball bearing
150	56340164	1	Distance sleeve
155	56340165	1	Pulley drive shaft
156	56340128	1	Brush, nylon, (STD)
0	56340552	1	Brush, nylon abrasive (OPT)
#0	L08603250	1	Wear pack (156 no.1+ 56340067 no.2+ 56340066 no.2+ 56340142 no.1+ 56340148 no.1)
#0	L08603251	1	Wear pack (56340552 no.1+ 56340067 no.2+ 56340066 no.2+ 56340142 no.1+ 56340148 no.1)



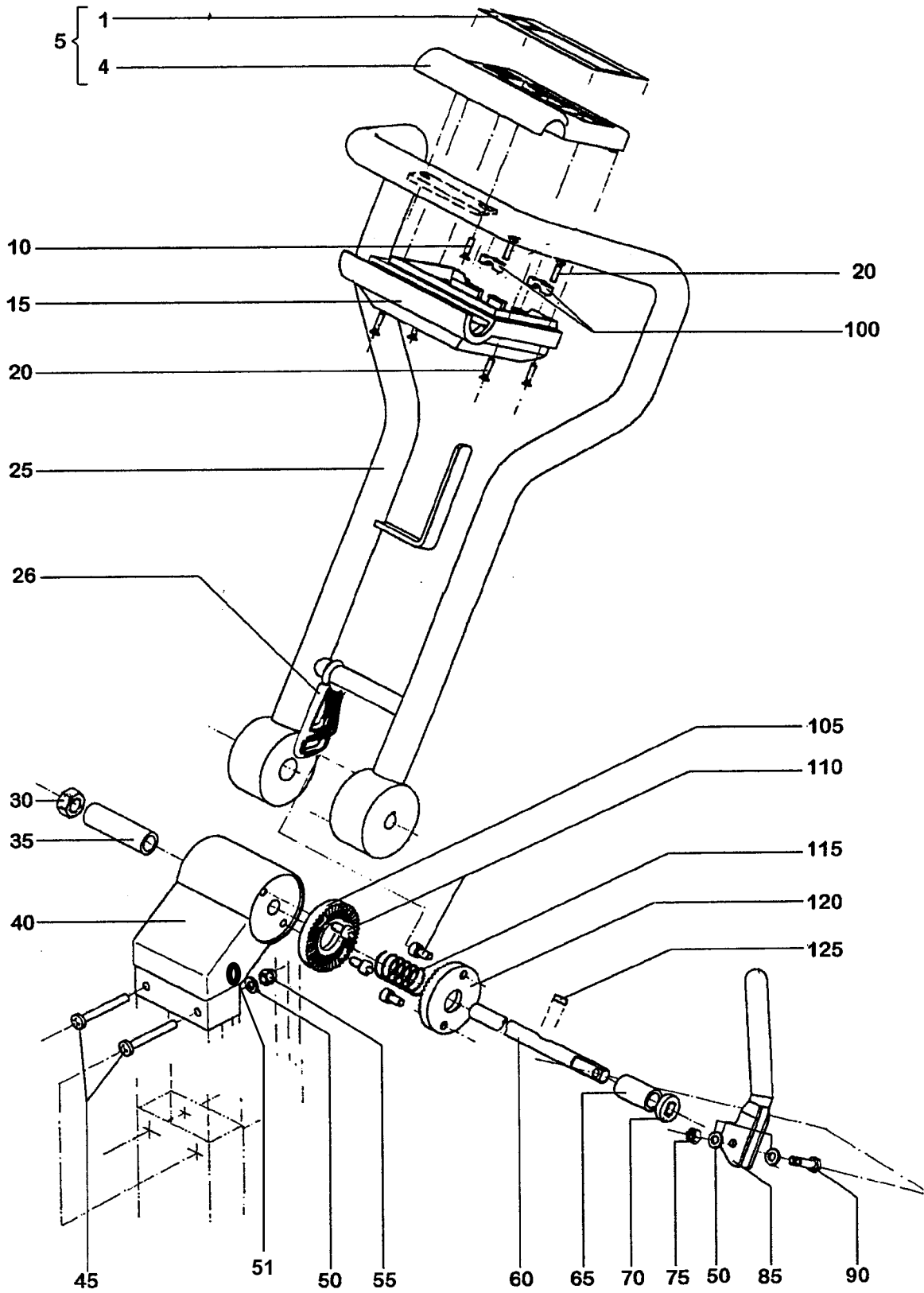
Item	Ref.No.	Qty.	Description
1	56340060	1	Cover, suction channel
5	56340061	2	Bumper roller
10	56340062	2	Screw goofy hd M6x15 thd form
15	56340064	2	Seal, squeegee housing
20	56340211	1	Squeegee housing front
25	56340212	2	Wheel
30	56340558	2	Bolt
#35	L08603744	2	Screw cheese hd M 5x16 SS
40	56340063	2	Retaining strip
45	56340066	2	Squeegee inside
50	56340067	2	Squeegee outside
55	56003369	8	Screw phil thd form M4,2x9
60	56340054	1	Tension spring
65	56340235	2	Screw
70	56340559	2	Nozzle
75	56340233	2	Seal
80	56340070	1	Sleeve 6,5x20x19,3
#85	L08603736	1	Spacer 6,5x18x3,5
90	56340074	1	Screw soc hd M6x41
95	56340069	1	Linkage arm
100	56340216	2	Screw
105	56340232	1	Guide
110	56340072	1	Bolt
#115	L08603728	1	Squeegee head
120	56340065	1	Squeegee housing, rear
121	56325716	2	Washer M4x9
#122	L08603685	2	Nut self locking M4
#123	L08603733	2	Screw M4x40
0	56340094	1	Squeegee housing front complete (20+40+36+45+50+55+15+25+30)
0	56340075	1	Squeegee housing rear complete (15+120+40+35+45+50+55)
0	56340059	1	Brush cover Assy (65+70+75+115+121+122+123)
#0	L08812754	1	Brush cover Assy complete (56340059+5+10+20+120+45+50+40+35+55+25+15+30)



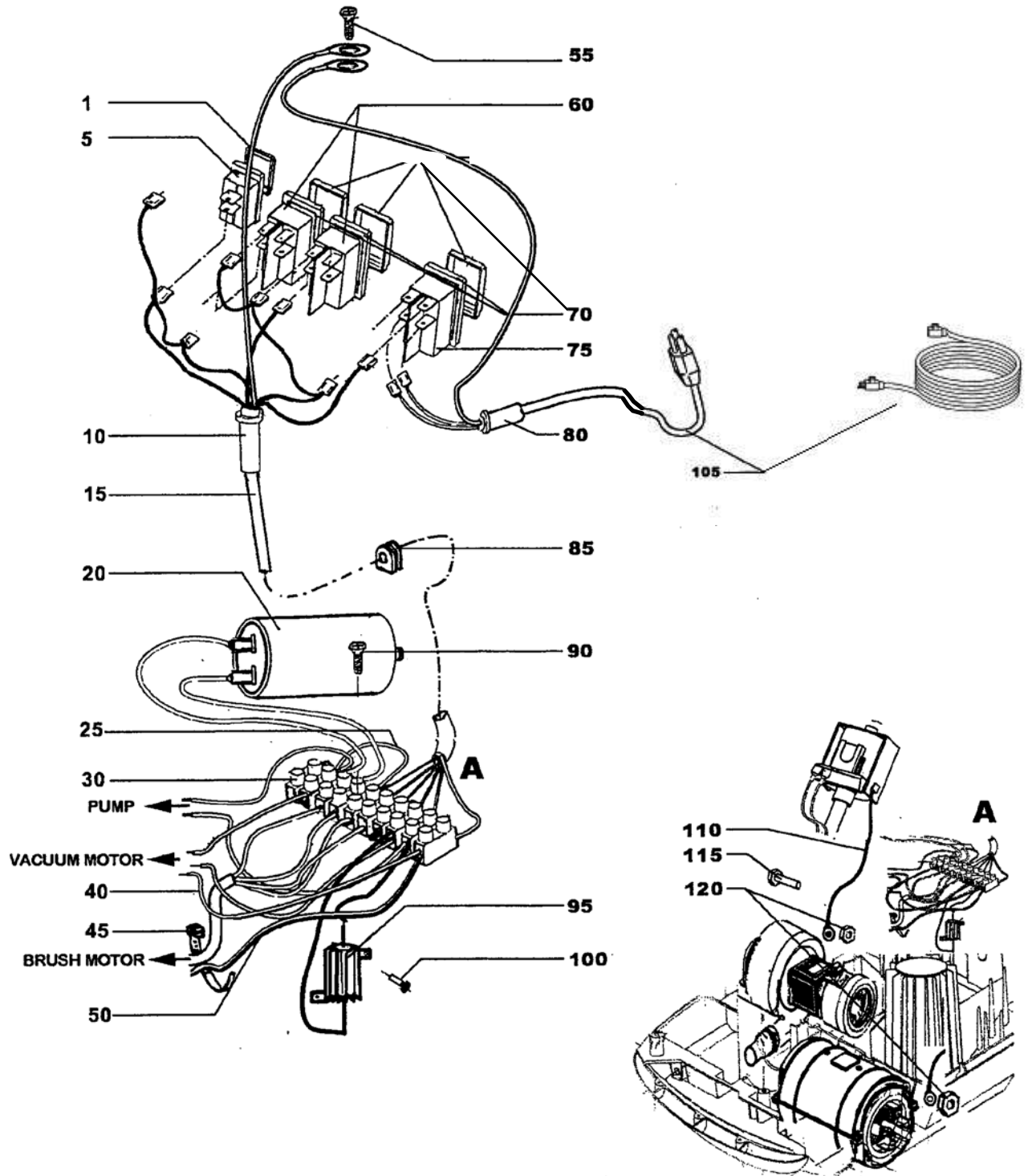
Item	Ref.No.	Qty.	Description
1	56009236	2	Scr. Flt Phil Thd Form M5x20
5	56340140	1	Strip
10	56340141	1	Spring
15	56340130	1	Filter cover
20	56340131	1	Sound insulation, top
25	56340132	1	Clamp collar
30	56340133	1	Exhaust sound insulation shroud
35	56340134	2	Hose clamp
40	56340135	1	Suction hose
55	56340137	1	Exhaust
60	56340138	1	Hose clamp
65	56340139	1	Bottom insulation
67	56340142	1	Pre-filter, turbine
68	56340143	1	Suction grate
70	56340144	1	Seal, turbine inlet
75	56340145	1	Seal, recovery tank inlet
80	56340136	1	Vibration damping
83	56340231	1	Strand wire
85	56340146	1	Turbine-110 V
90	56340147	1	Seal, turbine
95	56340148	1	Filter, turbine



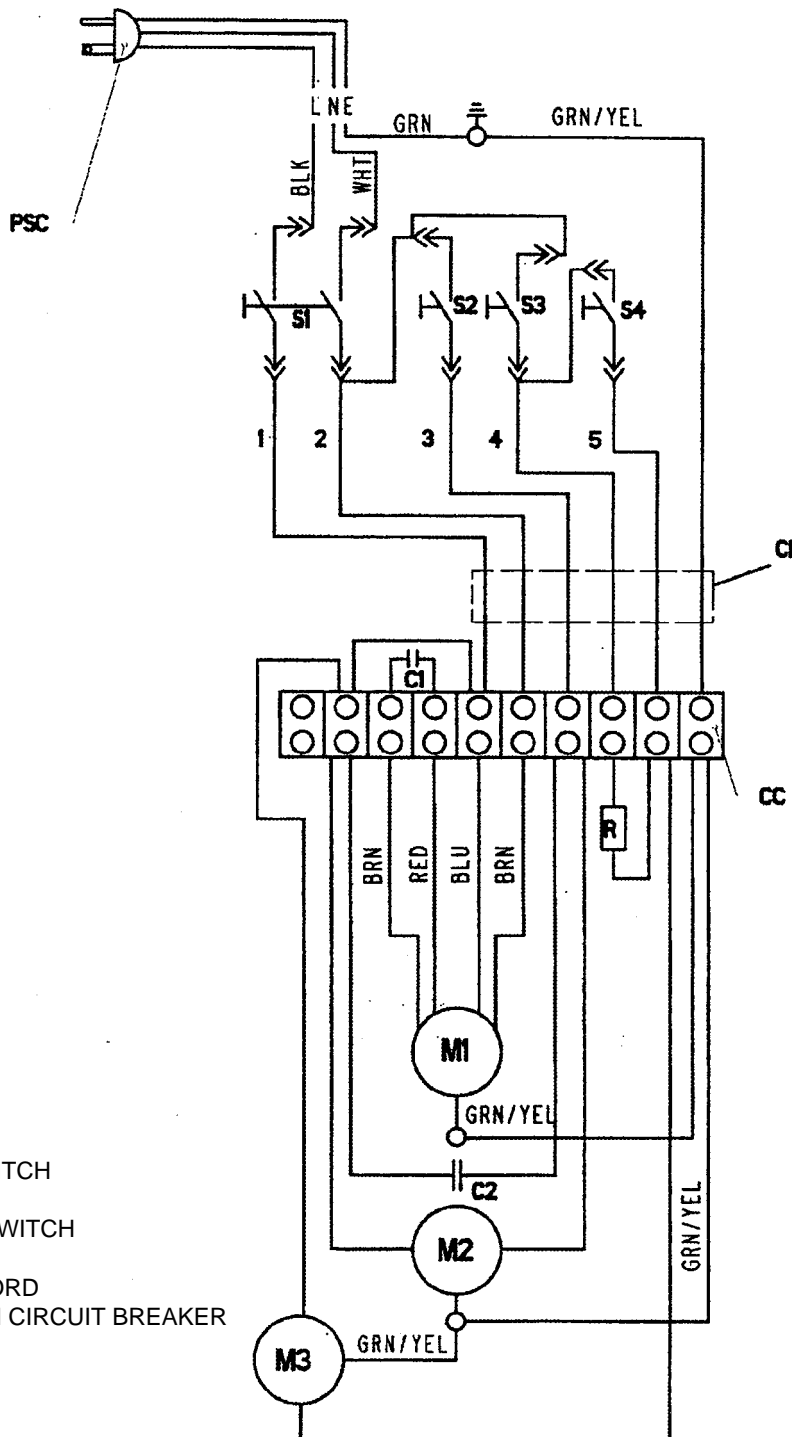
Item	Ref.No.	Qty.	Description
1	56340104	1	Frame
5	56340105	2	Plug
6	56014828	1	Decal
10	56340106	2	Guide wheel
15	56003359	2	Cheese head screw M10x22
20	56340107	1	Spring
25	56340227	1	Bolt
30	56340109	4	Locking washer, lifting
35	56340228	1	Pedal, lifting
40	56340561	1	Bolt
45	56340113	1	Spring
50	56340114	2	Tension spring
55	56340115	1	Shaft
60	56340116	2	Wheel, front
65	56340117	1	Lifting frame
70	56003361	2	Screw Hex M8x35
75	56003362	2	Washer Flt 8x17 SS
80	56340118	1	Compression spring
85	56340119	1	Adjustment nut
90	56340226	1	Hexagon head nut
#91	L08603746	1	Screw cap (starting from Serial Number 1532712)
95	56340225	1	Pedal, lowering
100	56340122	2	Sleeve
105	56003362	2	Washer flat 8x17 SS
#110	L08812803	2	Screw,Cheese head M8x20
115	56340224	4	Screw, Cheese head M6x25 thd form
0	56340110	1	Lift pedal kit (35+40+95)



Item	Ref.No.	Qty.	Description
1	56015931	1	Decal Display
#4	L08603751	1	Control panel
5	56340076	1	Housing with foil complete
10	56003354	2	Screw, cyl hd 3,9x13 thd form
#15	L08603299	1	Switch housing , rear
20	56003356	8	Screw Pan Phil M3.6x16 thd form
25	56340078	1	Handle bar
26	56340079	1	Cable release
30	56009233	1	Nut, Hex Prevaling Torq M12
35	56340082	1	Distance sleeve 13x18x62
40	56340080	1	Housing
45	56003355	2	Screw Pan Phil M6x50
50	56003638	2	Washer Flt 6x12,5
51	145 9228 000	2	Washer M6
55	56009234	2	Hex, Cap Nut M6
60	56340086	1	Shaft
65	56340091	1	Distance sleeve 13x18x32
70	56340092	1	Pressure plate
75	56009235	1	Locking nut
85	56340088	1	Lever
90	56003358	1	Screw Hex M6x25
100	56340083	2	Clamp
105	56340090	1	Ratchet disc
110	56003357	4	Cheese head screw M6x12
115	56340084	1	Compression spring
120	56340085	1	Ratchet disc
125	56340087	1	Key

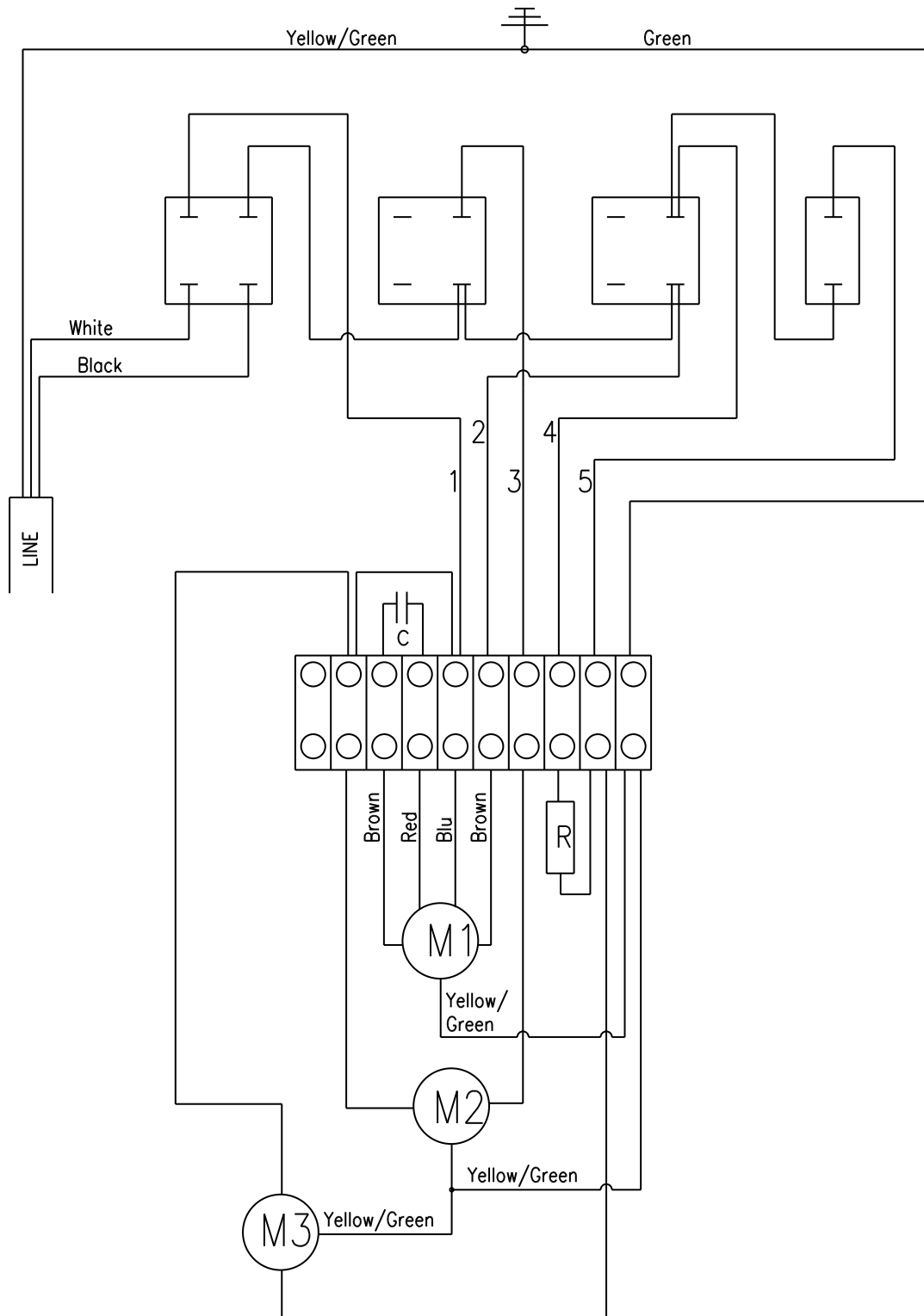


Item	Ref.No.	Qty.	Description
1	56340012	1	Protection cap
5	56340013	1	Switch (pump)
10	56340205	1	Socket
15	56340206	1	Internal cable complete
20	56340017	1	Capacitor 40 μ F
#25	L08603756	1	Strand wire white
30	56340020	1	Cable clamp
40	56340194	1	Strand wire 230mm green/yellow
45	56340192	1	Clamp
50	56340194	1	Strand wire 450mm green/yellow
60	56340199	2	Switch
70	56340195	3	Bracket plastic with protection cap
75	56340197	1	Switch
80	56340198	1	Socket
85	56340178	2	Socket, rubber
90	56009228	1	Screw, Pan Phil Tread Form M2.9x16
95	56340220	1	Resistor cpl. 33 Ohm / 25W
100	56009229	1	Self-tapping screw 2,9x9,6 thd form
#105	909 6831 000	1	Power supply cable plus extension cord.
#110	L08812092	1	Strand wire – yellow/green
115	56340563	1	Screw,Cheese Hd M4x16 SS
120	56003351	1	Nut, Hex SS M4
#0	909 5667 000	1	Switch with protection set
#0	909 5668 000	1	Switch, main with protection set



110V/60Hz

- CC= CABLE CLAMP
- S1= MAIN SWITCH
- S2= VACUUM MOTOR SWITCH
- S3= PUMP SWITCH
- S4= SOLUTION DOSING SWITCH
- C1= CABLE INTERNAL
- PSC= POWER SUPPLY CORD
- M1= BRUSH MOTOR WITH CIRCUIT BREAKER
- M2= VACUUM MOTOR
- M3= CEME PUMP
- R= RESISTOR
- C1= WORK CAPACITOR
- C2= SUPPRESSION FILTER



- M1 = BRUSH MOTOR WITH CIRCUIT BREAKER
- M2 = VAACUUM MOTOR
- M3 = PUMP
- R = RESISTOR
- C = WORK CAPACITOR



Nilfisk-Advance, Inc.
14600 21st Avenue North
Plymouth, MN, 55447-3408
www.nilfisk-advance.com
Phone: 800-989-2235
Fax: 800-989-6566
©2001 Nilfisk-Advance, Inc.,
Plymouth, MN 55447-3408
Printed in the U.S.A.